

Dunelm

electric

**CURVED OIL FILLED
RADIATOR**

- 2000W POWER, 9 FIN -

3 HEAT SETTINGS AND CABLE TIDY
ON CASTORS FOR MANOEUVRABILITY

THERMOSTATIC CONTROL



THIS PRODUCT IS ONLY SUITABLE FOR WELL
INSULATED SPACES OR OCCASIONAL USE.

IMPORTANT SAFEGUARDS

When using electrical appliances, basic safety precautions should always be followed. These instructions should be saved for future reference:

- Read and familiarise yourself with all operating instructions before using this Oil Filled Radiator.
- Before plugging your unit into the mains, visually check that the unit is intact and has not suffered any transit damage.
- **⚠ WARNING!** In order to avoid overheating, do not cover the heater.
- **DO NOT** install the appliance directly below an electrical socket.
- **DO NOT** use this heater with a programmer, timer, separate remote-control system or any other device that switches the heater on automatically, since a fire risk exists if the heater is covered or positioned incorrectly.
- **DO NOT** use this heater with an extension cable.
- Check that the voltage indicated on the data plate corresponds with that of the local network before connecting the appliance to the mains power supply.
- Close supervision is required when using this appliance near children.
- This appliance can be used by children aged from 8 years and above and persons with reduced physical, sensory or mental capabilities or lack of experience and knowledge if they have been given supervision or instruction concerning use of the appliance in a safe way and understand the hazards involved. Children shall not play with the appliance. Cleaning and user maintenance shall not be made by children without

supervision.

- Children of less than 3 years should be kept away unless continuously supervised.
- Children aged from 3 years and less than 8 years shall only switch on/off the appliance provided that it has been placed or installed in its intended normal operating position and they have been given supervision or instruction concerning use of the appliance in a safe way and understand the hazards involved.
- Children aged from 3 years and less than 8 years shall not plug in, regulate and clean the appliance or perform user maintenance.

⚠ WARNING! Some parts of this product can become very hot and cause burns. Particular attention has to be given where children and vulnerable people are present.

- **DO NOT** use this heater in the immediate surroundings of a bath, a shower or a swimming pool.
- **DO NOT** immerse the appliance or its cord in water or any other liquids.
- **DO NOT** leave the appliance unattended during use.
- **DO NOT** leave the appliance unattended whilst connected to the mains supply.
- Always use this appliance on a solid, level, heat resistant surface.
- **DO NOT** use this appliance outdoors.
- It is imperative to unplug the power cord after the appliance has been used, before it is cleaned and whilst being repaired.
- Repairs to electrical appliances should only be performed by a qualified electrician. Improper repairs may place user at serious risk.

- **DO NOT** operate this appliance with a damaged plug or cord, after a malfunction or after being dropped or damaged in any way.
- Regular, periodic checks should be carried out on the mains cable to ensure no damage is evident. Should there be any signs of damage the appliance should not be used.
- If the power cable is damaged, it should only be replaced by the manufacturer or a suitable qualified after-sales-service in order to avoid a hazard
- **DO NOT** allow the mains cable to hang over sharp edges or come in contact with hot surfaces.
- **DO NOT** run the mains cable under carpets, rugs, etc.
- Allow the unit to cool before storage.
- Before cleaning, disconnect the appliance from the mains supply and allow to cool.
- Never place the appliance near to flammable material or high pressure containers. E.g. Paper, wood, petrol, solvents, spray canisters.
- This appliance is intended for household use only and should not be used for industrial purposes.
- **DO NOT** use any accessories or attachments with this appliance other than those supplied or recommended by supplier.
- **DO NOT** use this appliance for anything other than its intended use.
- **DO NOT** push objects into any openings as damage to the appliance and/or electric shock may occur.

Ensure appliance is situated in an open area, do not allow it to come in contact with Cupboards, Curtains, wall coverings, clothing or other flammable materials. The appliance should not be installed in areas which have a fire-risk, such as garages, stables or wooden sheds; this is applicable also for rooms in which highly inflammable gasses or dust can develop. Danger of fire!!

Unplug after each use. Grasp the plug, not the cord.

THIS APPLIANCE MUST BE EARTHED

This appliance has been ERP classified as a portable space heater and should only be used for supplementary, secondary or temporary heating. It should not be considered for primary permanent heating in a room or dwelling.

Before the first time you use your Oil Filled Radiator

Please read these operating instructions thoroughly and keep them in a safe place for future reference.

Remove all packing materials and discard responsibly.

Explanation of Symbols

The following warning symbols or words are used in this instruction manual:



This designates a hazard with moderate risk, which may result in severe injury if not adhered to.

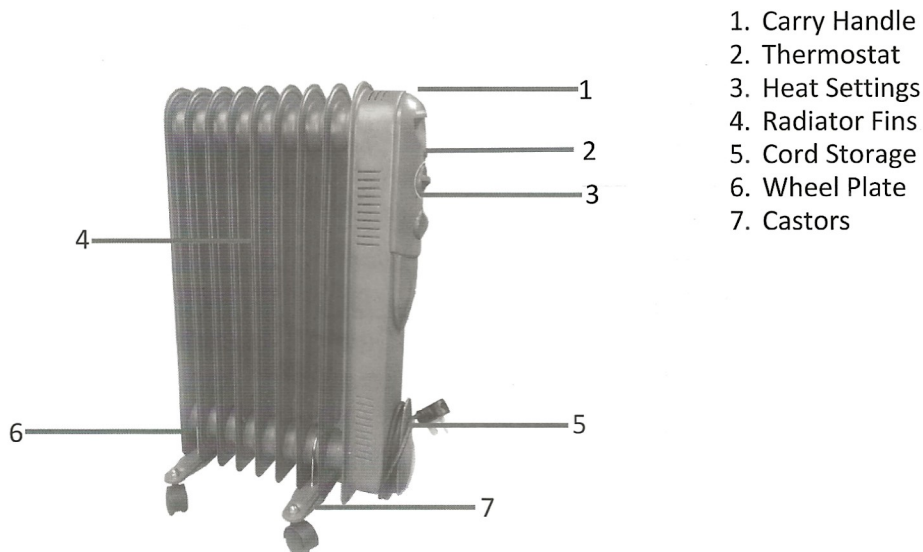


This symbol provides useful additional information on the use of this product.



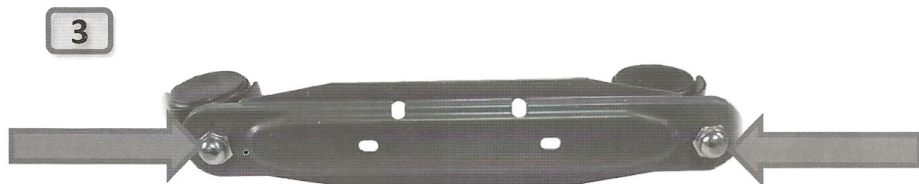
This symbol indicates that the supply uses an alternating current mains supply.

Description of Parts

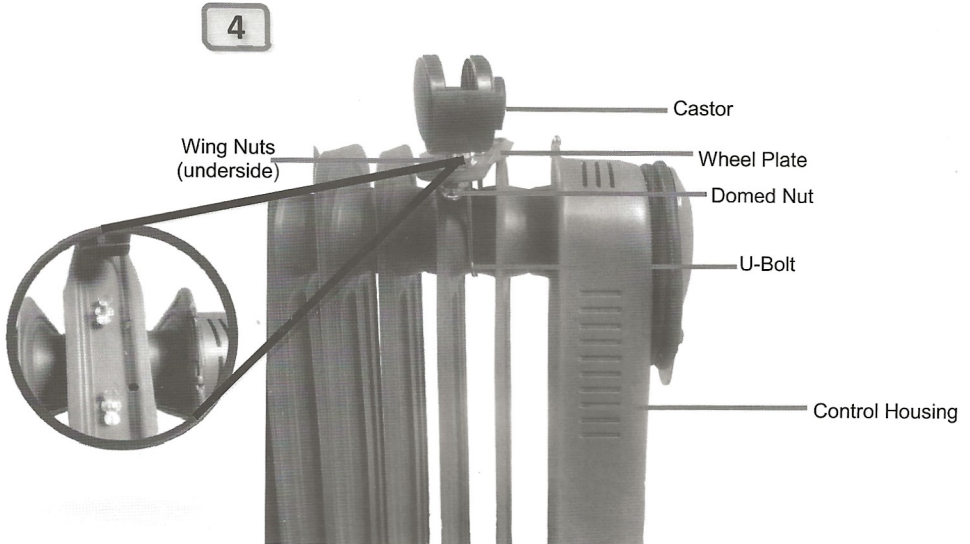


Assembly

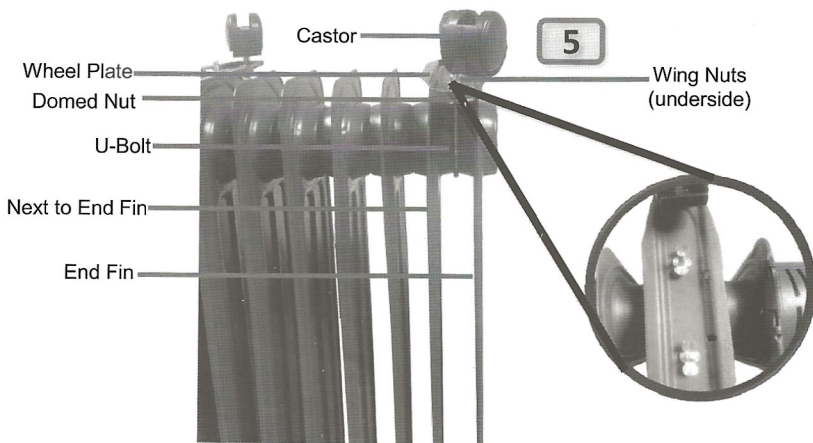
1. Place protective material (such as cardboard) on the floor to prevent scratching or damage to the appliance.
2. Turn the radiator upside down onto the material ensuring that it is stable. The oil inside the radiator will be heard to settle inside this is quite normal.
3. Attach the castor wheels (7) to the wheel plates (6) using the domed nuts supplied (arrowed below), tighten with a suitable spanner (not supplied):



4. Remove the wing nuts from the U bolts and loop it between the first and second fins behind the control housing, attach the wheel plate (above) securing in place using the wing nuts as in the image below, taking care not to overtighten:



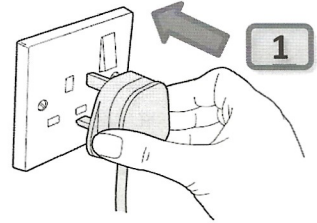
5. Remove the wing nuts from the other U bolt and loop it between the end and next to the end fins, attach the other wheel plate (above) securing in place using the wing nuts as in the image below, taking care not to overtighten



Once the castors are attached invert the radiator the correct way up onto its castors and place into the desired position ensuring that it is stable and vertical. The oil inside the radiator will be heard to settle inside this is quite normal.

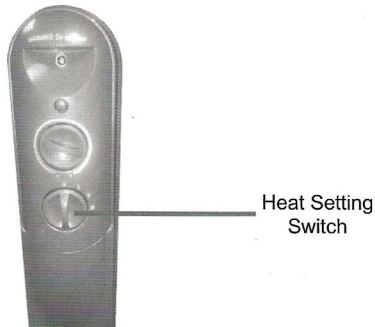
Operating Instructions

1. Insert the mains plug into the nearest socket.



2. Turn the heat setting switch to I for the low heat setting, switch II for medium heat and switch to III for high heat.

2



3. Rotate the thermostat to the fully clockwise position.

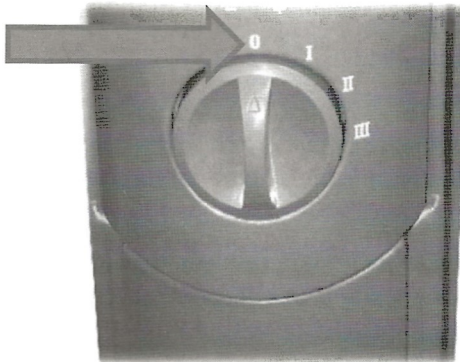
3



- Once the area reaches the desired temperature, rotate the thermostat control anti-clockwise until the indicator light(s) extinguish on the heat setting switch(es). The thermostat will now maintain the set temperature. If desired rotate the thermostat control clockwise to increase the temperature or anticlockwise to reduce the temperature.

4

- To switch off the radiator return the Heat Setting Switch to the '0' position.

5

Technical Specification

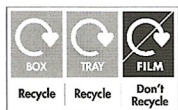
Rated Voltage	220-240V ~ AC 50/60Hz
Rated Power	2000W
Model Number	30737292
Protection Class	I (This Appliance must be Earthed)

Non-Rewireable Mains Plug

If your appliance is supplied with a non-rewireable plug fitted to the mains lead and should the fuse need replacing, you must use an ASTA approved one (conforming to BS 1362 of the same rating). If in doubt, consult a qualified electrician who will be pleased to do this for you. If you need to remove the plug – DISCONNECT FROM THE MAINS – and then cut it off the mains lead and immediately dispose of it safely. Never attempt to reuse the plug or insert it into a socket outlet as there is a danger of electric shock.

Recycling Information

Disposal of the packaging



Dispose of paper and cardboard in appropriate paper re-cycling facilities.

Dispose of recyclable plastics in appropriate plastic re-cycling facilities.

Dispose of non-recyclable plastics in the appropriate plastics collection service.

Disposal of the Product



You should now recycle your waste electrical goods and in doing so help the environment. This symbol means waste electrical products at the end of their useful life should not be disposed of with normal household waste and not sent to landfill. Please ensure it is taken to a suitable facility for disposal. Check with your Local Authority or retailer for recycling advice or visit www.recycle-more.co.uk to find your nearest recycling point.



ERP Data

Model	30737292				
Item	Symbol	Value	Unit	Item	Unit
Heat output				Type of heat input, for electric storage local space heaters only (select one)	
Nominal heat output	P_{nom}	2.0	KW	manual heat charge control, with integrated thermostat	Not applicable
Minimum heat output (indicative)	P_{min}	1.0	KW	manual heat charge control with room and/or outdoor temperature feedback	Not applicable
Maximum continuous heat output	$P_{max,c}$	2.0	KW	electronic heat charge control with room and/or outdoor temperature feedback	Not applicable
Auxiliary electricity consumption				fan assisted heat output	
At nominal heat output	el_{max}	0	KW	Type of heat output/room temperature control (select one)	
At minimum heat output	el_{min}	0	KW	single stage heat output and no room temperature control	[no]
In standby mode	el_{SB}	0	KW	Two or more manual stages, no room temperature control	[no]
				with mechanic thermostat room temperature control	[yes]
				with electronic room temperature control	[no]
				electronic room temperature control plus day timer	[no]
				electronic room temperature control plus week timer	[no]
				Other control options (multiple selections possible)	
				room temperature control, with presence detection	[no]
				room temperature control, with open window detection	[no]
				with distance control option	[no]
				with adaptive start control	[no]
				with working time limitation	[no]
				with black bulb sensor	[no]



dunelm.com
Produced in China for
Dunelm (Soft Furnishings) Ltd.
GB: LE7 1AD
NI: BT48 8QN